

## MixFlo Range Commercial Range

MF100/MF125/MF150/MF200



These powerful in-duct mounted mixed flow fans have been designed to produce higher working pressures for applications that require high air flows, with low relative noise.

MixFlo fans can be mounted in a variety of applications and are suitable for use with either rigid or flexible ducting.

- High quality ball bearing, long life motors, continuously rated and warranted for a minimum of 30,000 hours or 3 years
- High air flows are achieved through flexible duct
- Compact overall dimensions
- All models 3 speed settings selected via internal dip switch
- Double Insulation - no earth required
- Fully Building Code compliant
- Fully BEAB approved rated to IPX4
- Easy installation and maintenance with the fan assembly easily removed from rigid ducting installations using the specially designed construction



۰۲۶ - ۳۶۶ ۴۹ ۵۶۴

۰۲۶ - ۳۶۶ ۰۳ ۳۹۶



@avalsanat



۰۹۱۲ ۵۶ ۵۶ ۸۹۰



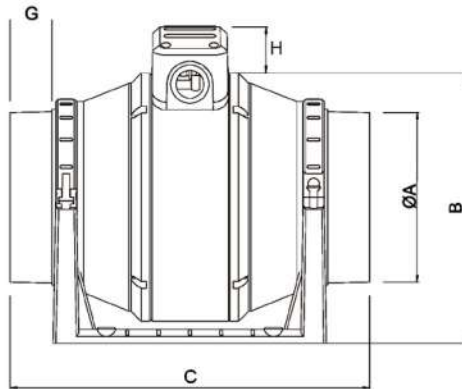
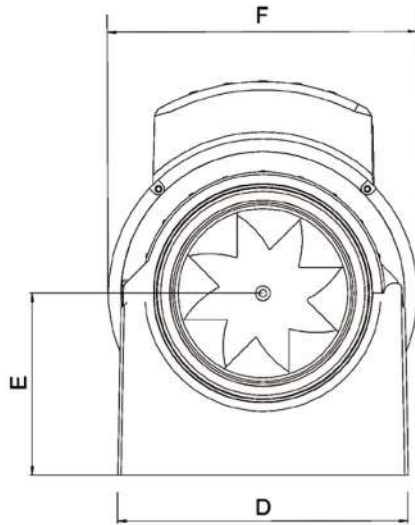
www.avvalsanat.com



avalsanat@gmail.com

### Dimensions (mm)

PRODUCT	ØA	B*	C	D	E	F	G	H	Spigot Int Diameter
MF100	102	195	298	162	105	175	30	35	98
MF125	122	195	260	162	105	175	30	35	118
MF150	150	217	307	192	120	226	30	35	145
MF200	197	240	300	195	130	250	35 (narrow part) 63 (overall)	35	192



### Technical specifications

Catalogue No STD / Timer	Speed	RPM	Wattage	Maximum Airflow (m <sup>3</sup> /hr)	Maximum Airflow (l/s)	Maximum Pressure (Pa)	dB(A) 3m*	Max Operating Temp °C
MF100S/MF100T	H	2400	25	245	68	200	24	40
	M	2100	23	216	60	170	22	
	L	1700	20	180	50	120	20	
MF125S/MF125T	H	2400	33	310	86	230	25	40
	M	2100	31	290	79	200	23	
	L	1700	28	240	67	160	21	
MF150S/MF150T	H	2400	48	500	138	190	35	40
	M	2100	46	460	127	150	33	
	L	1700	42	400	111	130	31	
MF200S/MF200T	H	2750	120	855	238	220	48	40
	M	2700	113	738	205	190	48	
	L	2000	110	648	180	180	48	

\*Lp dB(A) 3 metres - sound pressure

### Speed Controller

Cat No. METCON (not to be used with Timer models)



MANROSE®



۰۲۶ - ۳۶۶ ۴۹ ۵۶۴

۰۲۶ - ۳۶۶ ۰۳ ۳۹۶



@avalsanat



۰۹۱۲ ۵۶ ۵۶ ۸۹۰



www.avvalsanat.com



avalsanat@gmail.com