



KMSR Series

Three Phase Solid State Relays



- Economic type three phase SSR
- LED indicator of the control input status
- Available heatsinks & fans

Ordering Information

KMSR - ① ② ③ ④

① Input voltage	D	4 - 32 VDC
	A	90 - 265 VAC

② Output Voltage	T	Three Phase
---------------------	----------	-------------

③ Load Current			
010	10A	040	40A
020	20A	050	50A
025	25A	060	60A
030	30A	100	100A

④ Load Voltage	2	90 - 240V
	4	90 - 480V

Specifications

Insulation Resistance	100MΩ/500VDC (btwn Terminal & Case)
Dielectric Strength	2500VAC(50/60Hz 1minute)
Vibration Resistance	10-55Hz, amplitude: 1.5mm,x,y,z each axis 2 hours
Shock Resistnace	100m/s ² ,s,y,z each axis 3times
Storage Temperature	-30°C~ +90°C
Ambient Temperatur	-25°C~ +70°C (-13°F~158°F)
Ambient Humidity	45 - 85% R.H
Weight	approx. 530g

Characteristics

DC Input / AC Output (90 - 240VAC)

		DT0102	DT0202	DT0252	DT0302	DT0402	DT0502	DT0602	DT1002
Input	Rated Control Voltage	4 - 32VDC							
	Pick-up Voltage	3VDC Minimum							
	Drop-out Voltage	1.5VDC Maximum							
	Input Current	25mA Maximum							
Output	Rated Load Voltage	90 - 240VAC							
	Peak Voltage	600V				800V			
	Rated Load Current	10A	20A	25A	30A	40A	50A	60A	100A
	Frequency	47 - 63Hz							
	Single Cycle Surge Current Resistance	125A	260A	315A			580A		
	Output Leakage Current (Maximum)	10mA	10mA						
	Output on Voltage Drop	1.5V Maximum							
	Minimum Switching Current	1A							
	Pick-up/Drop-out Time	1/2 cycle+1ms Maximum							

DC Input / AC Output (90 - 480VAC)

		DT0104	DT0204	DT0254	DT0304	DT0404	DT0504	DT0604	DT1004
Input	Rated Control Voltage	4 - 32VDC							
	Pick-up Voltage	3VDC Minimum							
	Drop-out Voltage	1.5VDC Maximum							
	Input Current	3 - 35mA							
Output	Rated Load Voltage	90 - 480VAC							
	Peak Voltage	800V	1200V						
	Rated Load Current	10A	20A	25A	30A	40A	50A	60A	100A
	Frequency	47 - 63Hz							
	Single Cycle Surge Current Resistance	170A	250A		350A		580A		
	Output Leakage Current (Maximum)	10mA							
	Output on Voltage Drop	1.5V Maximum							
	Minimum Switching Current	1A							
	Pick-up/Drop-out Time	1/2 cycle+1ms Maximum							

AC Input / AC Output (90 - 240VAC)										
		AT0102	AT0202	AT0252	AT0302	AT0402	AT0502	AT0602	AT1002	
Input	Rated Control Voltage	90-265VAC								
	Pick-up Voltage	72VAC Minimum								
	Drop-out Voltage	60VAC Maximum								
	Input Current	15mA Maximum								
Output	Rated Load Voltage	90 - 240VAC								
	Peak Voltage	600V					800V			
	Rated Load Current	10A	20A	25A	30A	40A	50A	60A	100A	
	Frequency	47 - 63Hz								
	Single Cycle Surge Current Resistance	125A	260A	315A			580A			
	Output Leakage Current (Maximum)	10mA								
	Output on Voltage Drop	1.5V Maximum								
	Minimum Switching Current	1A								
	Pick-up/Drop-out Time	1/2 cycle+1ms Maximum								

Tower Lights

Beacon Lights

LED Indicators
Pilot Lamps

AC Input / AC Output (90 - 480VAC)									
		AT0104	AT0204	AT0254	AT0304	AT0404	AT0504	AT0604	AT1004
Input	Rated Control Voltage	90-265VAC							
	Pick-up Voltage	72VAC Minimum							
	Drop-out Voltage	60VAC Maximum							
	Input Current	15mA Maximum							
Output	Rated Load Voltage	90 - 480VAC							
	Peak Voltage	800V	1200V						
	Rated Load Current	10A	20A	25A	30A	40A	50A	60A	100A
	Frequency	47 - 63Hz							
	Single Cycle Surge Current Resistance	170A	250A	350A			580A		
	Output Leakage Current (Maximum)	10mA							
	Output on Voltage Drop	1.5V Maximum							
	Minimum Switching Current	1A							
	Pick-up/Drop-out Time	1/2 cycle+1ms Maximum							

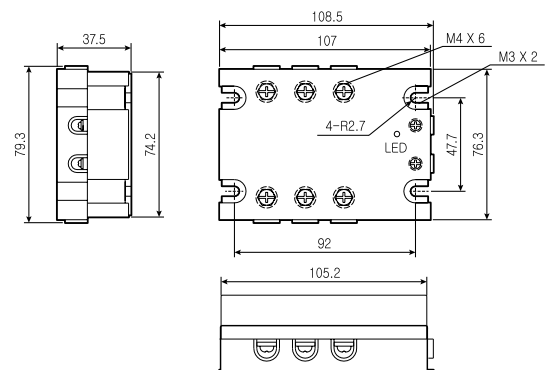
Buzzer Alarms

Pushbutton Switches

Limit Switches

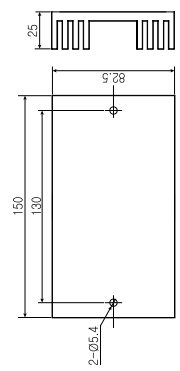
Foot Switches

Dimension

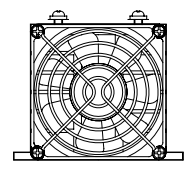
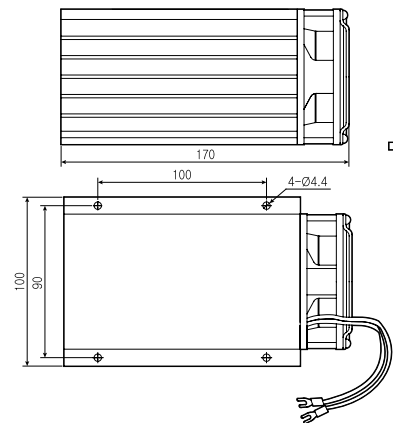


Optional Heatsink

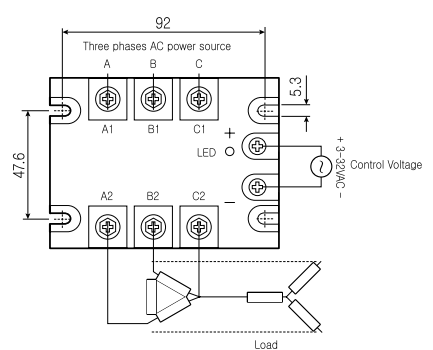
KSH-B040(25A-40A)



KSH-B100(40A-100A)

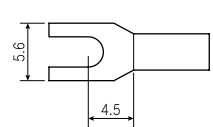


Connection Diagram

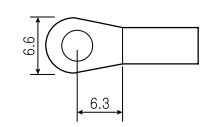


Terminals

Input



Output



SSR

Relay & Sockets

Relay Terminal Blocks

Terminal Blocks

Fuse Holders

Enclosures