

Miniature Circuit Breaker

KMCB Series

Part Number Description

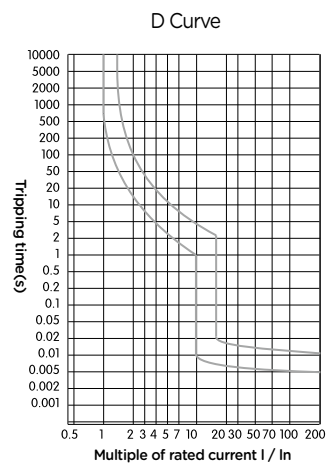
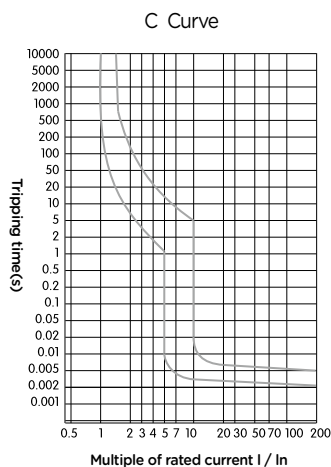
KMCB - 1 2 3

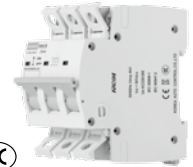
1 Tripping characteristic	C Curve	D Curve				
2 Rated current	2 : 2A	3 : 3A	4 : 4A	6 : 6A	10 : 10A	16 : 16A
	20 : 20A	25 : 25A	32 : 32A	40 : 40A	50 : 50A	63 : 63A
3 Poles	1P	2P	3P	4P		
※ Accessory	KMCB-P : Protect Cover					

General Specification





Poles		1P	2P	3P	4P
Standard		IEC60898-1, IEC60898-2, IEC60947-2, GB10963.1, K60947-1, K60947-2			
Rated current (In)	A	(2, 3, 4, 6), 10, 16, 20, 25, 32, 40, 50, 63			
Rated voltage (Ue)	V	220VAC (Max. 400VAC)	220VAC/380VAC (Max. 400VAC)		
Insulation voltage (Ui)	V	400VAC			
Rated impulse withstand voltage (Uimp)	V	4,000VAC			
Rated frequency	HZ	50/60 Hz			
Rated breaking capacity	KA	6kA at 380VAC			
Electrical life	Time	4,000 times			
Mechanical life	Time	20,000 times			
Operating frequency per hour	Time	Mechanical : 240 times/h Electrical : 240 times/h 120 times/h		2A - 50A 2A - 32A 40A - 63A	
Protection degree		IP20			
Ambient temperature		-5°C~+40°C			
Installation altitude		Altitude less than 2,000 M			
ConnectioWires	mm	2A-6A : 1 mm 32A : 6 mm	10A : 1.5 mm 40A, 50A : 10 mm	16A,20A : 2.5 mm 63A : 16 mm	25A : 4 mm
※ KMCB-P (Protect Cover)		PC			

Characteristics





Product Selection

Poles	Rated current	Part Number		Poles	Rated current	Part Number	
		C Curve	D Curve			C Curve	D Curve
1P 	2A	KMCB C021P	KMCB D021P	3P 	2A	KMCB C023P	KMCB D023P
	3A	KMCB C021P	KMCB D021P		3A	KMCB C023P	KMCB D023P
	4A	KMCB C041P	KMCB D041P		4A	KMCB C043P	KMCB D043P
	6A	KMCB C061P	KMCB D061P		6A	KMCB C063P	KMCB D063P
	10A	KMCB C101P	KMCB D101P		10A	KMCB C103P	KMCB D103P
	16A	KMCB C161P	KMCB D161P		16A	KMCB C163P	KMCB D163P
	20A	KMCB C201P	KMCB D201P		20A	KMCB C203P	KMCB D203P
	25A	KMCB C251P	KMCB D251P		25A	KMCB C253P	KMCB D253P
	32A	KMCB C321P	KMCB D321P		32A	KMCB C323P	KMCB D323P
	40A	KMCB C401P	KMCB D401P		40A	KMCB C403P	KMCB D403P
	50A	KMCB C501P	KMCB D501P		50A	KMCB C503P	KMCB D503P
	63A	KMCB C631P	KMCB D631P		63A	KMCB C633P	KMCB D633P
	2P 	2A	KMCB C022P		KMCB D022P	4P 	2A
3A		KMCB C022P	KMCB D022P	3A	KMCB C024P		KMCB D024P
4A		KMCB C042P	KMCB D042P	4A	KMCB C044P		KMCB D044P
6A		KMCB C062P	KMCB D062P	6A	KMCB C064P		KMCB D064P
10A		KMCB C102P	KMCB D102P	10A	KMCB C104P		KMCB D104P
16A		KMCB C162P	KMCB D162P	16A	KMCB C164P		KMCB D164P
20A		KMCB C202P	KMCB D202P	20A	KMCB C204P		KMCB D204P
25A		KMCB C252P	KMCB D252P	25A	KMCB C254P		KMCB D254P
32A		KMCB C322P	KMCB D322P	32A	KMCB C324P		KMCB D324P
40A		KMCB C402P	KMCB D402P	40A	KMCB C404P		KMCB D404P
50A	KMCB C502P	KMCB D502P	50A	KMCB C504P	KMCB D504P		
63A	KMCB C632P	KMCB D632P	63A	KMCB C634P	KMCB D634P		

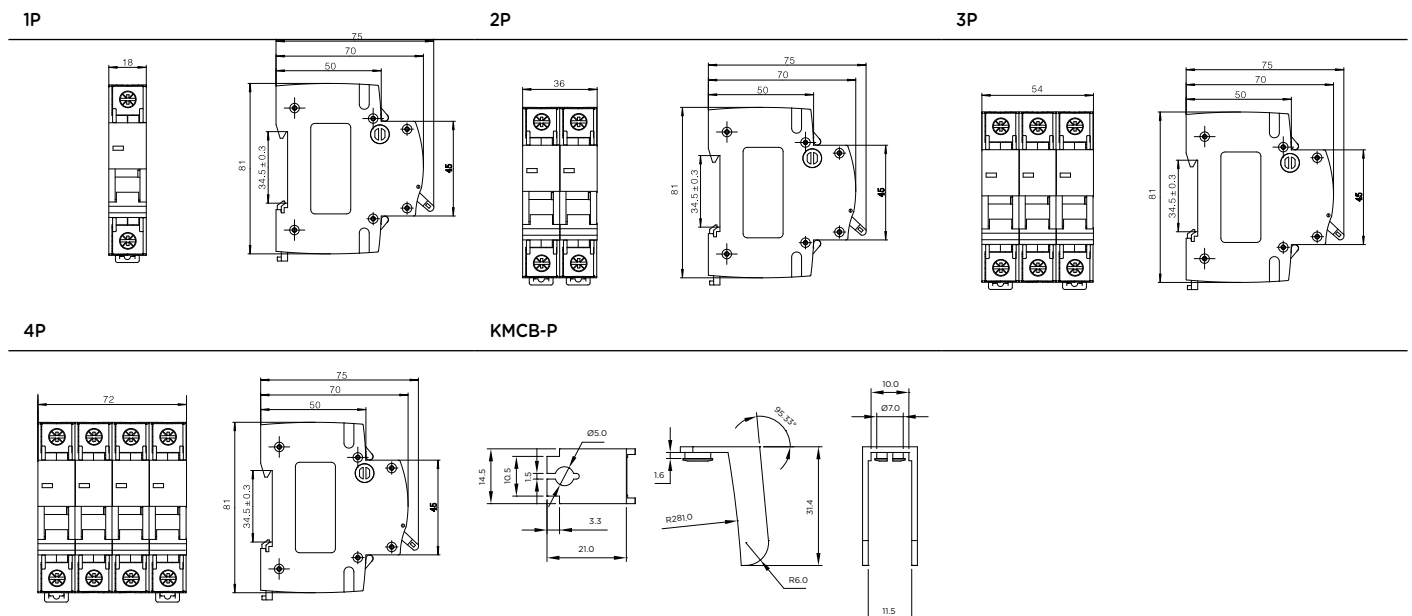
Protect Cover



KMCB-P

Dimension

unit : mm



Rev. 2/14

Data subject may change without notice.

www.kacon.co.kr

Industrial Controls Catalog

| - 3