

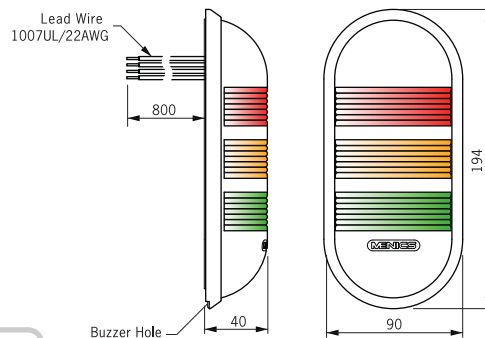
PWE Series Slim LED Wall Mount Signal Light



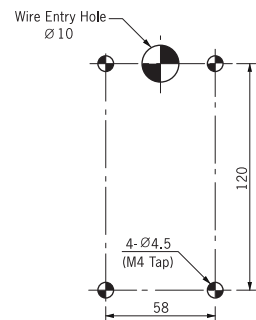
Ultra-Slim Signal Lights that offer seamless integration with equipment.



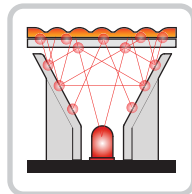
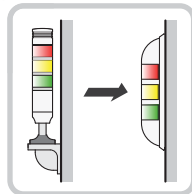
Dimensions < unit: mm >



Mounting Holes

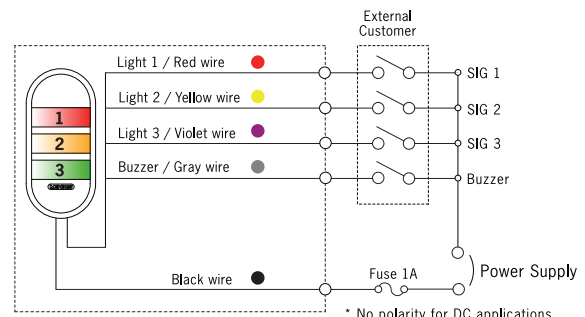


- Slim Profile Wall Mount
- Easy Mounted vertically and horizontally
- Equivalent brightness in every angle
- Steady and flashing lights
- Vibration and moisture resistant
- Chrome is also available as special order



Wiring Diagram

24V AC/DC , 12V AC/DC Steady Lights (with Buzzer)



Ordering Information

PWE C F - 302 - RYG

① ② ③ ④ ⑤

1. Body Color

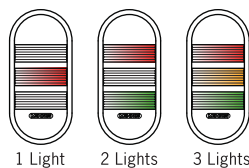
	White Ivory (Beige)
C	Chrome Painting

2. Light Style

	Steady
F	Steady + Flashing
B	Steady + Buzzer
Z	Steady + Flashing + Buzzer

3. Number of Stacks

1	1 Light
2	2 Lights
3	3 Lights



4. Power Supply

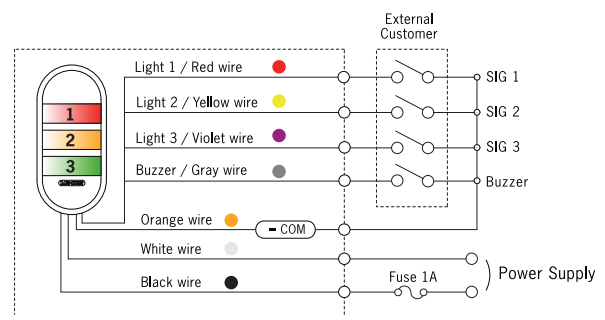
01	12V AC/DC
02	24V AC/DC
FF	90~240V AC (50/60Hz)

5. LED Colors (Top to bottom)

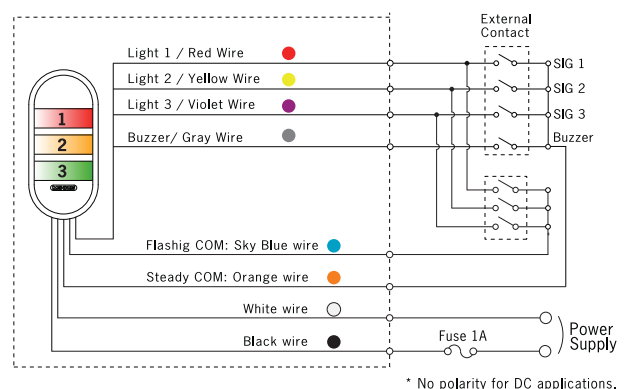
R	Red
Y	Yellow
G	Green



90 ~ 240V AC Steady Lights (with Buzzer)



24V AC/DC , 12V AC/DC , 90~240V AC Steady & Flashing Lights (with Buzzer)



Specifications

Power Supply	12V	24V	90~240V AC	Buzzer
Current Draw	Red LED	55 mA	75 mA	24V DC
	Yellow LED	55 mA	80 mA	90~240V AC
	Green LED	40 mA	95 mA	30mA
Size	40.0mm Profile			12V DC
Flashing rate	80 times / minute			200mA
Sound Level	80dB ±5 dB (at 1m)			
Degree of Protection	IP-65 (non-Buzzer style)		IP-52 (with Buzzer style)	

